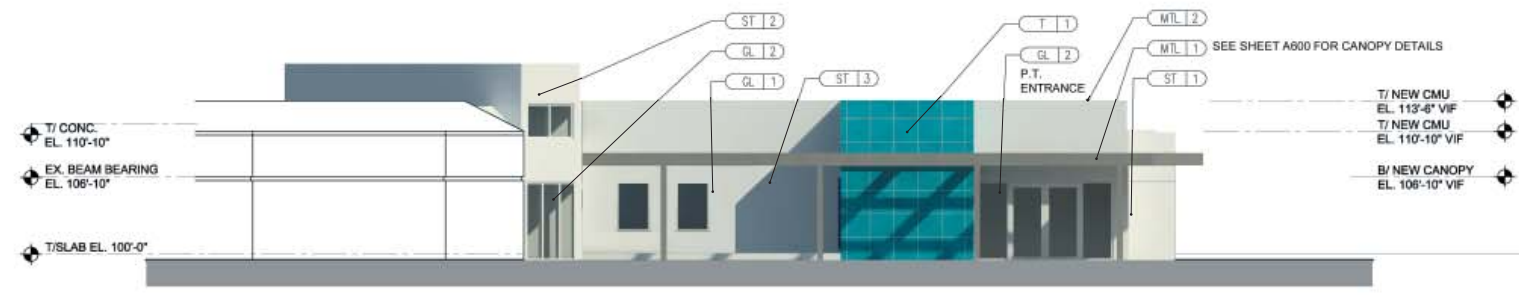
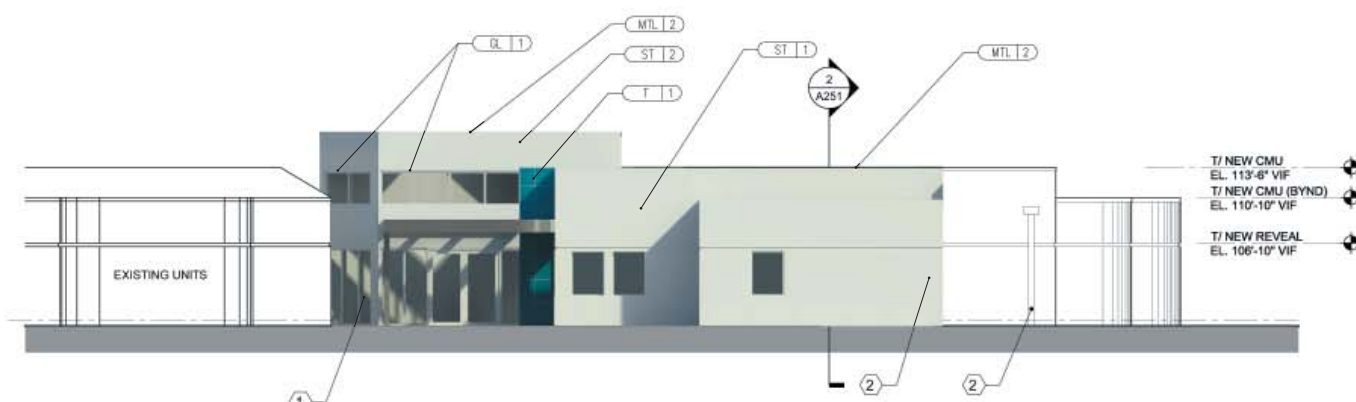


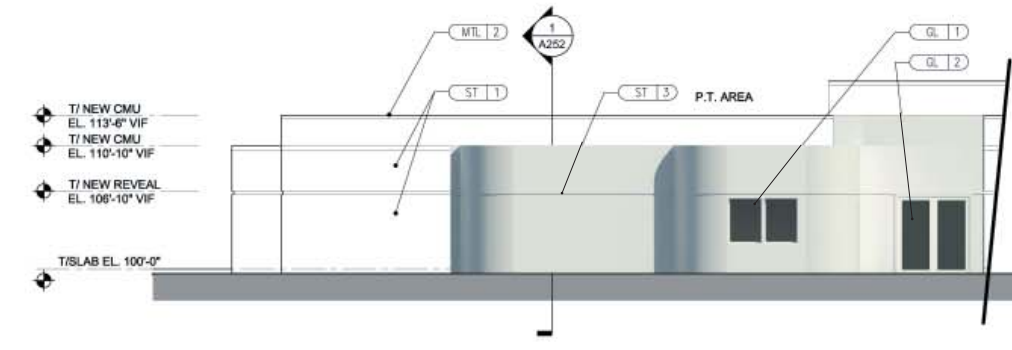
A SOUTH ELEVATION
A200 HEALTH CENTER



B SOUTH WEST ELEVATION
A200 HEALTH CENTER



C SOUTH EAST ELEVATION
A200 HEALTH CENTER



D NORTHEAST ELEVATION
A200 HEALTH CENTER

GENERAL NOTES:

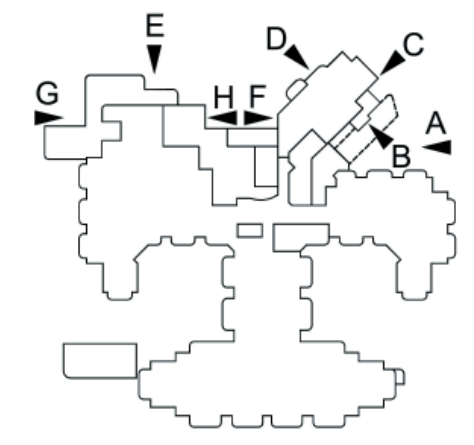
- A FINISH GRADE SHOWN ON THESE DRAWINGS IS APPROXIMATE. REFER TO CIVIL ENGINEERING AND LANDSCAPE DRAWINGS FOR GRADING, WALKS, DRIVES AND RETAINING WALLS.
- B REFER TO WINDOW AND DOOR SCHEDULES (A500SERIES) FOR TYPES AND SIZES.
- C GUTTER AND RAKE BOARDS, FASCIAS, TRIM AND CORNER BOARDS ETC. TO BE NOMINAL 1\"/>

MATERIAL LEGEND:

ST 1	STUCCO - MATCH EXISTING COLOR & TEXTURE
ST 2	STUCCO - COLOR TO BE APPROVED
ST 3	STUCCO REVEAL
GL 1	IMPACT RESISTANT GLAZING
GL 2	IMPACT RESISTANT GLAZED ENTRANCE
MTL 1	METAL CANOPY
MTL 2	PREFINISHED METAL COPING
MTL 3	METAL ROOF
T 1	EXTERIOR TILE - COLOR TO BE APPROVED

SPECIFIC NOTES:

- 1 ALUMINUM CURTAIN WALL SYSTEM
- 2 COORDINATE ALL NEW DOWNSPOUT AND SCUPPER BOX LOCATIONS WITH ROOF PLAN AND ENGINEER DRAWINGS.



KEY PLAN
HEALTH CENTER SCALE: NTS